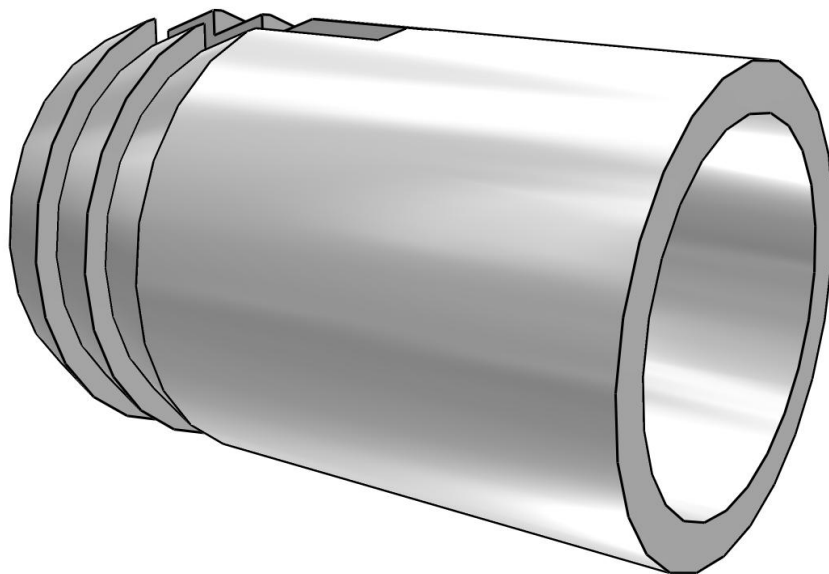




48578
Expanding socket

3D View

To activate the interactive 3D view, you must trust this document (see hint on the top) in Adobe Acrobat and click on the question mark.



Zoom

Moves you toward or away from objects in the scene when you drag vertically. You can also zoom with the hand tool by holding down Shift as you drag.

Pan

Moves the model vertically and horizontally only. You can also pan with the hand tool: Ctrl-drag.

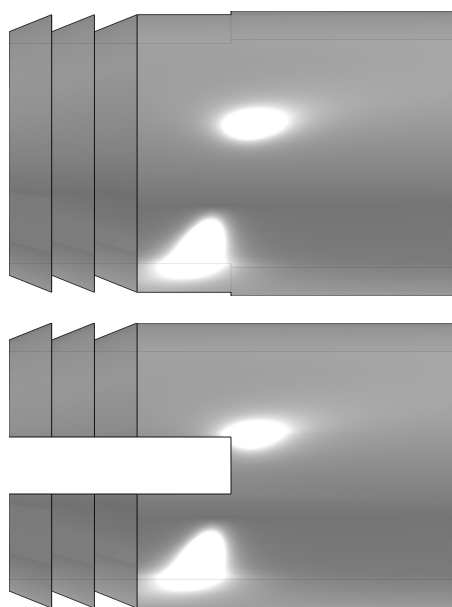
Rotate

Turns 3D objects around relative to the screen. How the objects move depends on the starting view, where you start dragging and the direction in which you drag.

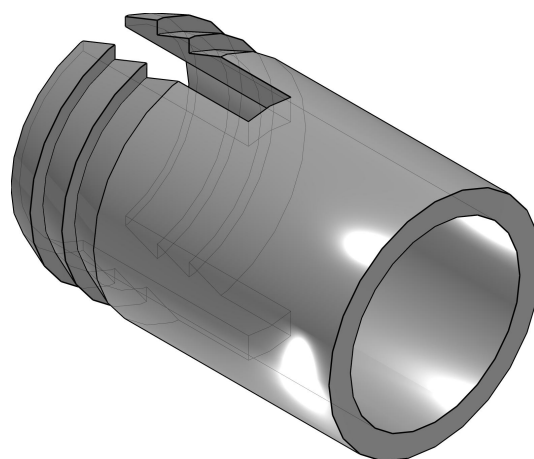


48578
Expanding socket

2D derivation



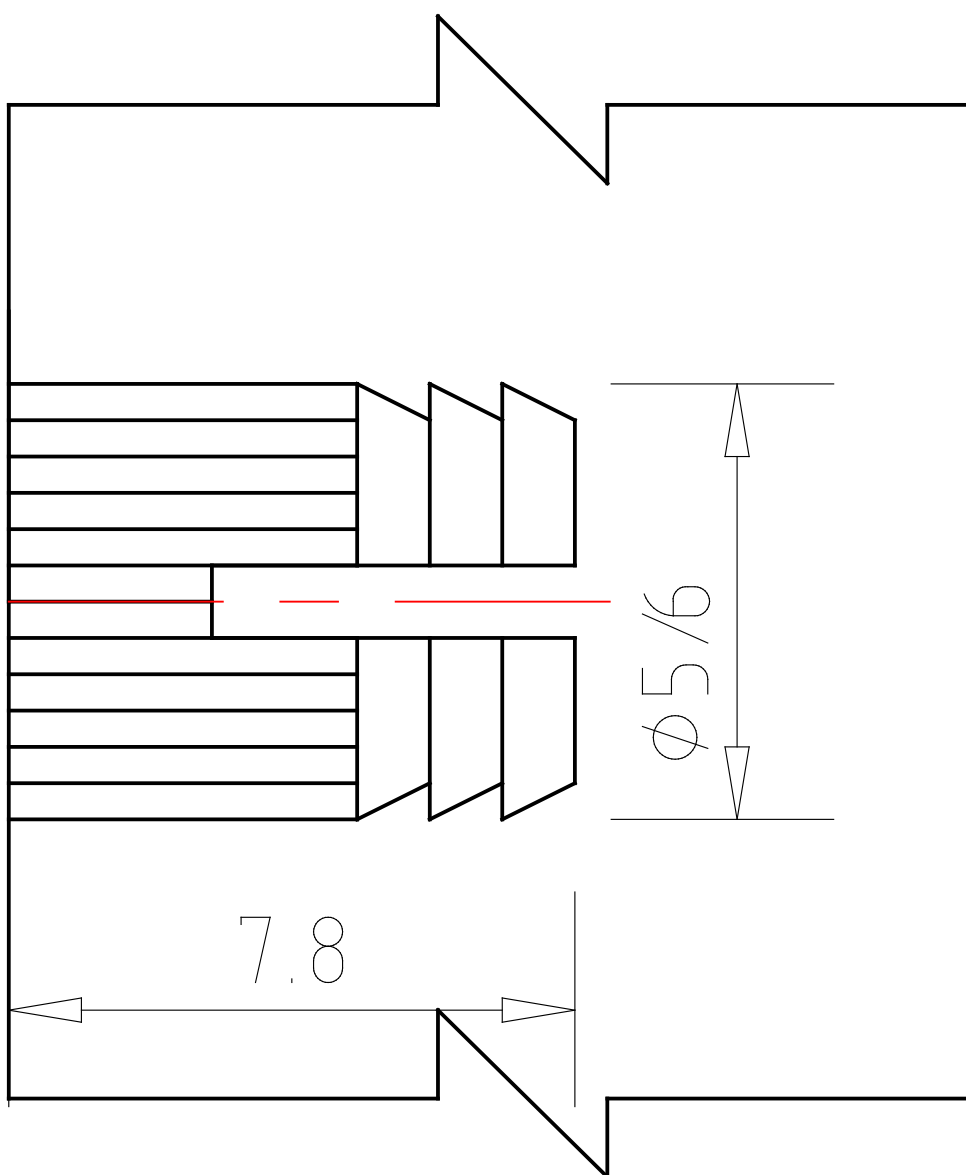
ISO View





48578
Expanding socket

Technical drawings





48578
Expanding socket

Technical Data

D (Hole Diameter / mm)	5
ARTICLENO (Order number)	48578



48578
Expanding socket

Bill of Materials

N°	Description	Amount
1.1	48578	1